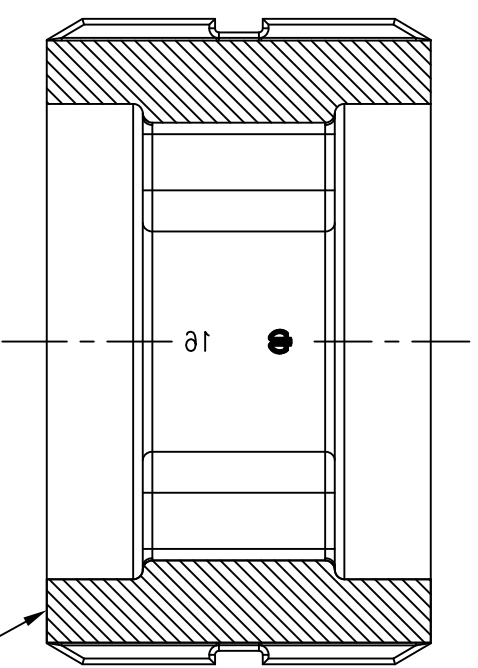
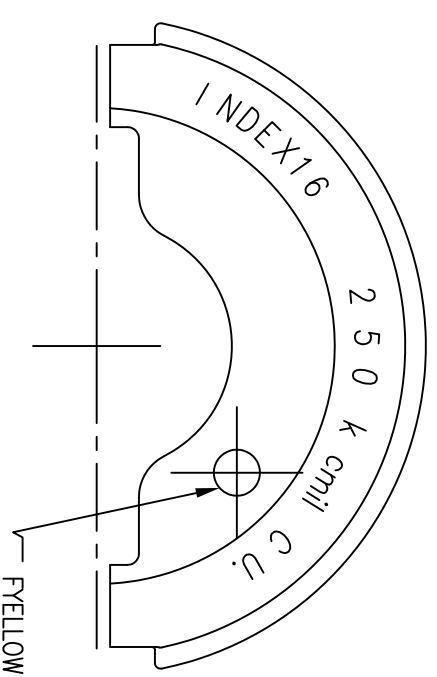
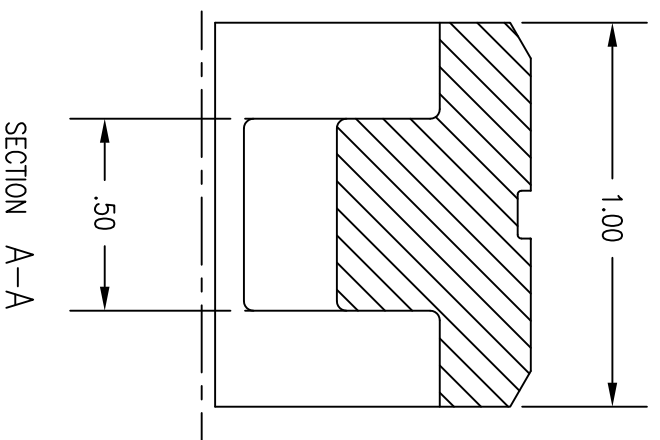
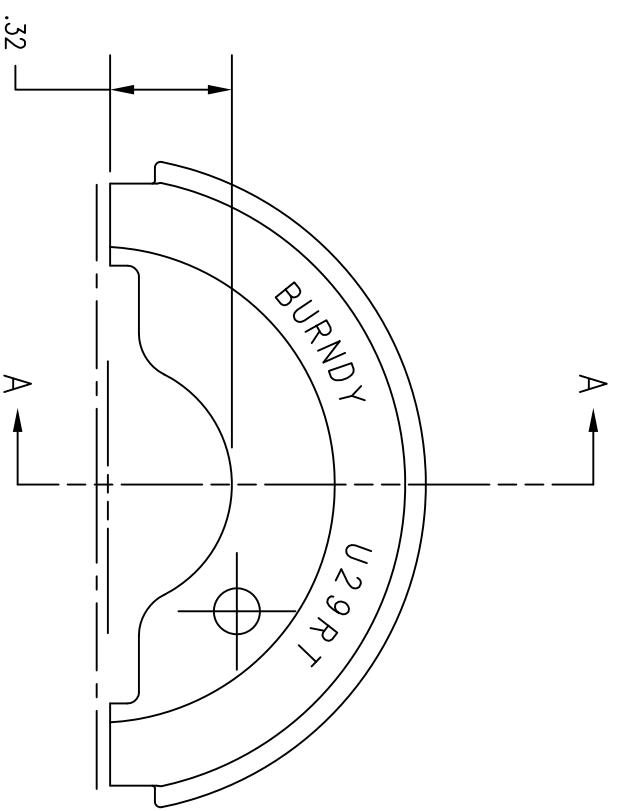


CATALOG NUMBER	DESCRIPTION
HU29RT	250 kcmil, 16 INDEX DIE SET



BUTTING SURFACES TO MATING DIES

- NOTES:
1. MATERIAL: STAINLESS STEEL.
  2. SPECIFICATIONS SUBJECT TO CHANGE WITHOUT NOTICE.

REV.	ECN	DATE	DESCRIPTION	CHG BY	APPD BY
1	18075	01/25/13	INITIAL RELEASE	MMA	

Created on AUTOCAD		DIMENSIONING AND TOLERANCE PER ANSI Y14.5M-1982 UNLESS OTHERWISE SPECIFIED, DIMENSIONS ARE IN INCHES (MM). TOLERANCES .XX = ±.01 (.25) .XXX = ±.005 (.127) .XXXX = ±.0025 (.0635) ANGLE TOL ±1°	
PROJECT REFERENCE: <b>2011-041</b>		PROJECT REFERENCE: <b>2011-041</b>	
MATERIAL: SEE NOTES		MATERIAL: SEE NOTES	
DRAWN BY: M. ABBY 01/23/13		DRAWN BY: M. ABBY 01/23/13	
CHECKED BY:		CHECKED BY:	
APPROVED BY:		APPROVED BY:	
TITLE: <b>Hubbell Premise Wiring</b> <b>HUBBELL INCORPORATED (Delaware)</b> 23 CLARA DRIVE, SUITE 103 MYSTIC, CT 06355		TITLE: <b>DIE SET, 250 kcmil, 16 INDEX</b> <b>U DIE SET FAMILY</b>	
SIZE <b>C</b>		SIZE <b>C</b>	
DRAWING NO. <b>HWS14228C</b>		DRAWING NO. <b>HWS14228C</b>	
SCALE: 1/1		SCALE: 1/1	
SHEET 1 OF 1		SHEET 1 OF 1	
REV. <b>1</b>		REV. <b>1</b>	